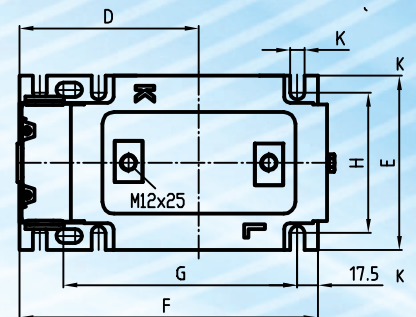
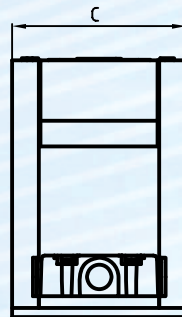
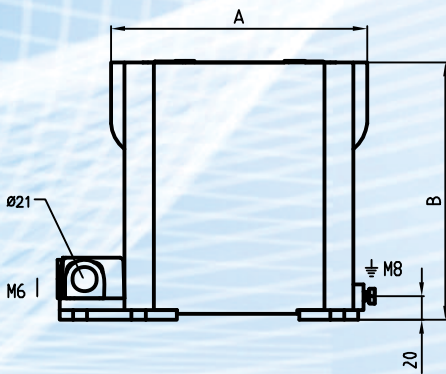


AN 36/250 do 1250 A

SUPPORT TYPE INDOOR CURRENT TRANSFORMER

Standard
IEC 60044-1 GOST 7746



Transformer type	Dimensions (mm)									
	A	B	C	D	E	F	G	H	K	
AN36/250-d2 120kA (2x60kA)	349	390	179	215	249	385	300	225	14	
AN36/250-f2 120kA (2x60kA)	349	390	224	215	249	385	300	225	14	

TECHNICAL DATA	AN 36/250	
	IEC 60044-1	GOST7746
Standard	IEC 60044-1	GOST7746
Installation	indoor	
Isolation material	epoxy resin	
Insulation class	E	
Maximum equipment voltage (Um) (kV)	36	42
Rated withstanding grid frequency and voltage for the primary coil (50Hz/1min) (kV)	70	95
Rated withstanding grid frequency and voltage for the secondary coil (50Hz/1min) (kV)	3	
Rated lightning impulse withstand voltage (Hz)	170	190
Rated frequency (Hz)	50; 60	
Rated short-term thermal current (Ith) (kA)	(100-1000) x In; max. 120 kA	
Rated dynamic current (Idyn) (kA)	2,5 x Ith; max 120kA	2,53 x Ith; max 120kA
Rated current of primary coil (A)	5-1250	
Rated current of secondary coil (A)	1; 5	
Rated power of secondary coil: measuring/ protecting (VA)	2,5; 5; 10; 15; 30/ 10; 15; 30; 60	
Accuracy class of secondary coil: measuring/protecting	0,2; 0,5; 0,2S, 0,5S; 1 / 5P, 10P	
Security factor / Accuracy limiting factor	5; 10 / 5; 10; 15; 20; 30	
Mass (kg)	28-48	